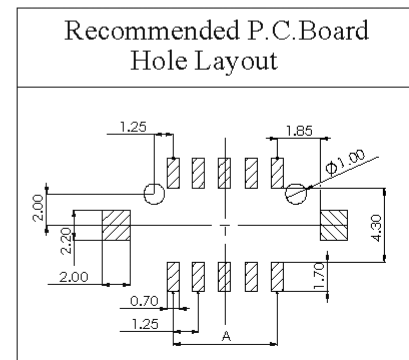
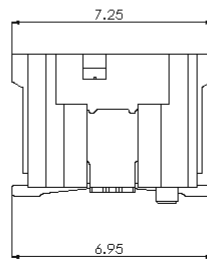
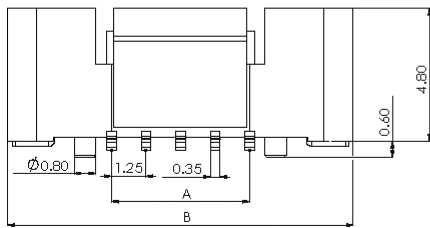
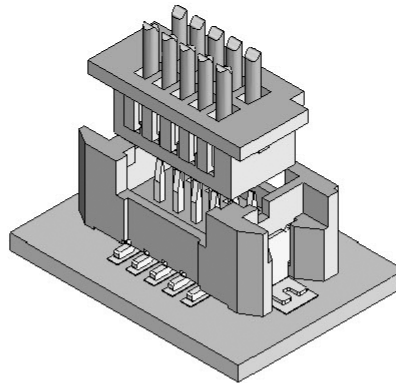
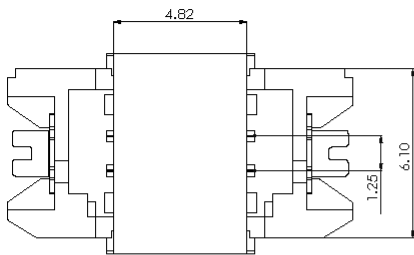
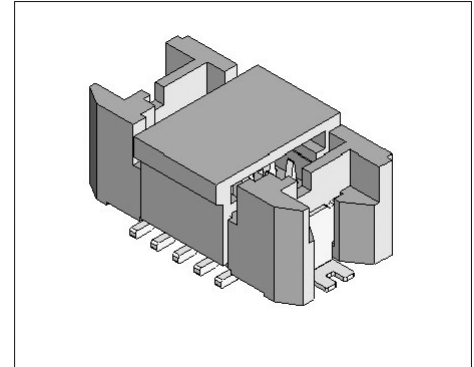


Wafer 1.25 mm

CDF125 Series

SPECIFICATIONS

Current Rating: 1 A, AC/DC
 Voltage Rating: 150 V AC/DC
 Temperature Range: -25°C ~ +85°C
 Contact Resistance: 30 mOhm max.
 Insulator Resistance: 500 MOhm min.
 Withstanding Voltage: AC 500 V / minute
 Finished: Tin-plated / Gold-plated
 Housing Material: Nylon-6T, UL 94V-0



How to order

Unit: mm

Circuits	Dimension mm	
	A	B
2*5PIN	5.00	12.50
2*7PIN	7.50	15.00
2*10PIN	11.25	18.75
2*15PIN	17.50	25.00
2*20PIN	23.75	31.25

Number of Contacts
CCDF13 -W125- 2* XX -SMTR
 T
 (10 TO 40 Contacts)